



APPLICATIONS

The portable air cleaners UNI series are the perfect solution for the fumes extraction in intermittent welding operations such as spot welding, electrode, wire or MIG-MAG welding, producing low to medium concentrations of pollutant containing gas or particles in suspension.

This cleaner units are designed to protect the operator from welding fumes ensuring an easy movement for the operator into the work space, without having to install fixed extraction plants.

The mechanical filters are easy to be replaced and does not have a high cost, for this reason the portable units UNI are the ideal solution to protect the operator against pollutants and to respect regulations on work safety.

FUNCTIONING

The extracted fumes first enter through a plenum that slows the air speed, the airborne contaminants are then filtered by a series of acrylic and metal components providing a filtration efficiency at the highest levels, variable depending on the version of the machine.

Upon request we provide deodorization obtained by using activated carbon filters installed on the cleaned air expulsion slots.

CONSTRUCTION FEATURES

- 3 mt long articulated arm, Ø160 mm, with hood complete with damper and multidirectional hinge.
- Very compact and easy to handle structure, made of sturdy powder coated steel sheet, complete with casters/handle.
- Electrical control panel with unit operating and filters clogging indicator lights.
- High efficiency centrifugal fan located downstream of the filtering section into a special soundproof room.
- Filter section consisting of a series of acrylic and metal filters providing a final filtration efficiency of H12 class.
- Optional post-carbon filter of 10 Kg.

AVAILABLE VERSIONS

- Version with filter HEPA eff. H12 "T".
- Version with filter electrostatic "E".

Optionals:

- Carbon filters (10Kg).

Available suction arms:

- **ARMOTECH**
- **ARMOFLEX**

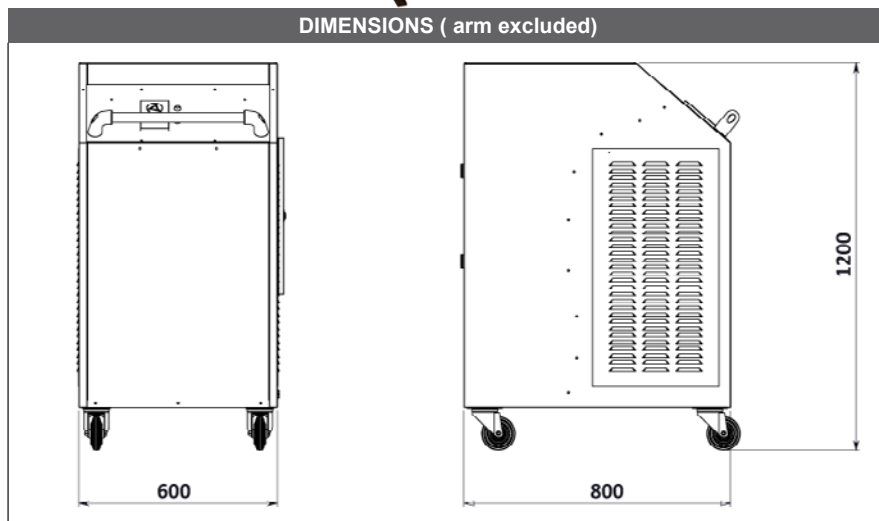


MOBILE AIR CLEANER



TECHNICAL FEATURES							
MOD.	SUCTION AIRFLOW CAPACITY	SUCTION CAPACITY	FILTRATION EFFICIENCY	FILTRATION SURFACE	MOTOR POWER	NOISE LEVEL	TOT. WEIGHT
	m ³ / h	m ³ / h	Rule / %	m ²	kw	dB (A)	Kg
T	2500	1480	EN 1822 [H12] / 99,5	14,5	1.1 - 220/1/50	< = 70	105
E		1800	99,5	-			

The quoted performance data were measured using suitable instruments in our laboratories.



Control panel of mobile air cleaner

EXCLUSIVE!
Indicator light for filter clogging included in the control panel,
very important for protect the operator.